

**Closet Storage Aids**

**Clothing Carrier**

**KV1ANO**

Standard Pack: Up to 20"  
 1 per box with screws, 12 per carton  
 Mounts easily under closet shelves.  
 Increases capacity with all garments readily accessible.  
 Bright nickel finish.

Lengths	To fit
10"	10" Only
12"	12" to 16"
16"	16" to 20"
20"	20" to 24"

**753ANO**

**Extension Hang Rod**

Standard Pack: 1 per box with screws 12 to a carton  
 Extension hang rod with rectangular flange 2-1/8" x 1" boring 7/8".  
 Provides 8-1/4" of hanging space. Anochrome finish.

**29201ANO Center Support**

Center support used with fully extended 72" and 96" rods. One included with 72" rod and two with the 96" KV 2 closet rods.

**KV 2ZC Extension Closet Rod**

Standard Pack: 1 Rod per polybag 18" thru 60" 10 per carton 72" thru 96" 5 per carton. Economy closet rod to fit closet widths from 18" to 144". Easy to install, can be attached to the wall or placed over a hook rail. Zinc plated. KV-2 Zinc Economy Closet Rod.

- KV2 ZC 18** - 18" x 30"
- KV2 ZC 30** - 30" x 48"
- KV2 ZC 48** - 48" x 72"
- KV2 ZC 72** - 72" x 120"
- KV2 ZC 96** - 96" x 144"

**1132ANO Garment Bracket**

Anochrome finish utility bracket.  
 Extra hanging capacity for closet or wall.

Sizes: 3", 4", 6" and 10".

**PKV3ANO Garment Bracket**

Garment bracket available in 5-1/2" and 10" lengths.  
 Steel rod - 7/16" diameter with Anochrome finish.

**P1198ANO**

With screws, double prong utility hook for brooms, garden tools, tennis rackets and numerous household items. Anochrome finish. 12" long.

**2038CHR**

With screws. Anochrome finish.  
 5-1/4" high with 3" projection.



## Pan Rack

### P690 ANO Single Row

Standard Pack: Packed 1 to a display box, 10 to a carton. Full ball bearing mounted slides. Convenient 7 hook rack for handled utensils for cabinets where space is limited. 20" long x 2-1/2" wide Bright chrome finish.

### 790 ANO Double Row Pan Rack

Standard Pack: Packed 1 to a display box, 6 to a carton. Full ball bearing mounted slides. Convenient fourteen-hook rack for handled utensils for cabinets where space is limited. 20" long x 5-1/4" wide.

### P791 ANO Cup Rack

Standard Pack: 1 per box, Eliminates chipped and cracked cups. Fastens under shelf. Holds twelve cups. Extends from 11" to 18". Anochrome finish.

### P792 ANO Towel Rack

Standard Pack: 1 per box 10 per carton Two-bar towel rack rolls out of sight on friction free ball-bearing carriers. Side-mounts to either left or right hand side of cabinet 18" long x 3-1/2" wide. Anochrome finish.

### P793 ANO Towel Rack

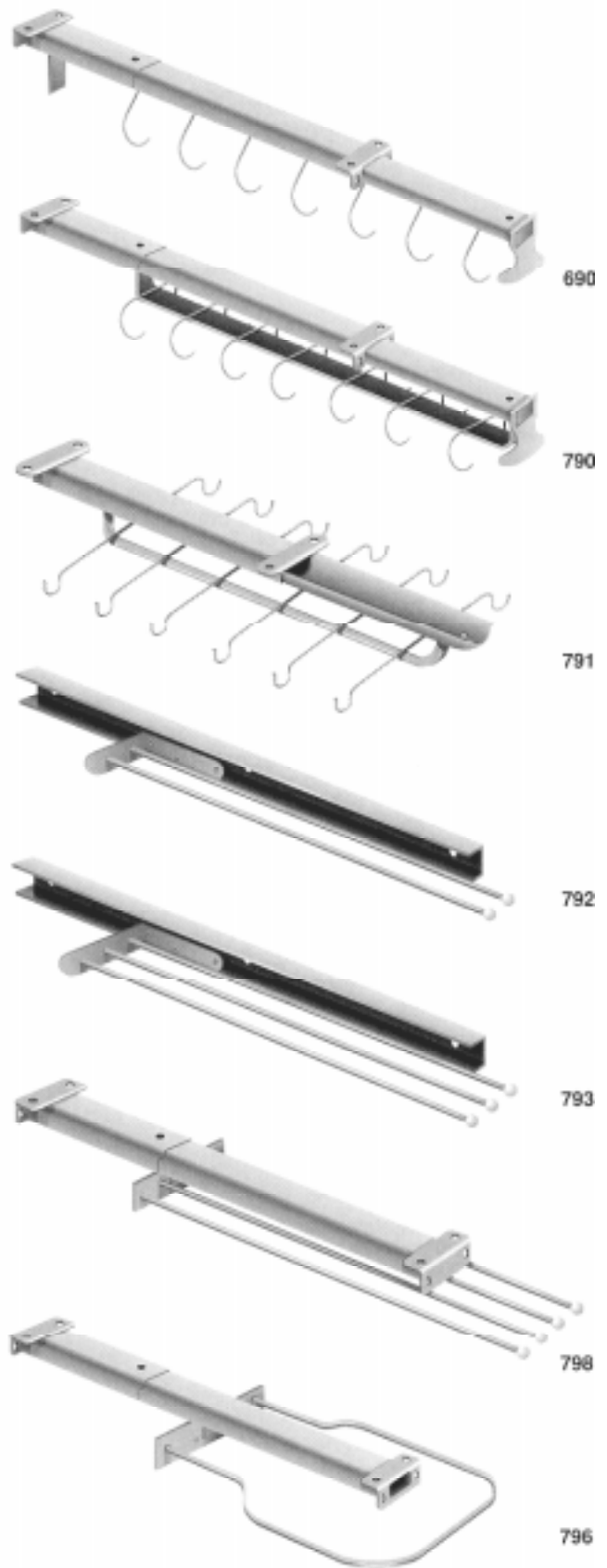
Standard Pack: 1 per box, 10 per carton. Three-bar towel rack rolls out of sight on friction free ball bearing carriers. Side-mounts to either left or right hand side of cabinet. 18" long x 5" wide. Anochrome steel.

### 796 ANO Waste Basket Rack

Standard Pack: 1 per box. Top mounted carrier keeps waste basket out of sight, 20" long x 9" wide. Fits Rubbermaid 2959, Fesco 170 baskets. Size of basket under rim 7-1/4" x 11-1/4". 797 Plastic Waste Basket to fit 796CHR Rack

### 798 ANO Towel Rack

Standard Pack: 1 per box, 6 per carton. 4-bar towel rack rolls out of sight on friction free, top mounted, ball bearing carriers. Rack mounts with four screws. 18" long x 5-1/4" wide. Anochrome steel.



**Tite Joint Fastener**



**516 /100 2C**

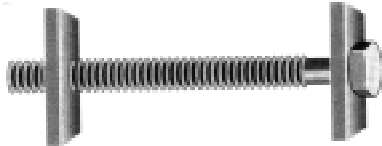
Standard Pack: 100 per box.  
 The Tite Joint Fastener applies an even, controlled pressure between joint members that eliminates tendencies to twist and buckle. Maintains a firm, solid joint without glue. Permits quick disassembly if ever required. Designed for 3/4" wood. Center-to-center 2" to 3-1/2". 6" bolt available on special orders gives 2" to 5-1/2" centers. Installation drill bit and guide are packed in each box. Guide locates both holes. Drill bit fits 1/4" and larger chuck. It has a special shoulder to control the hole depth to 5/8".

Component parts: May be purchased separately

**516 - 64** 7/8" Drill  
**516 - 63** Drill Guide



**9505** - 3-1/2"  
 Hex Head Draw Bolt  
 1/4 - 20 x 3-1/2"  
 Nut and Washer  
 1-5/6 x 7/16 x 3/16"



**Steel Table Top Fastener**

**323** - 5/8" wide, 14 gauge  
**324** - 3/4" wide, 15 gauge  
**320** - 1" wide, 10 gauge



**Desk Top Fastener**

100 in a box  
**1547** - Wt. 2 lbs. per 100  
 Wrought steel - Cut full size.

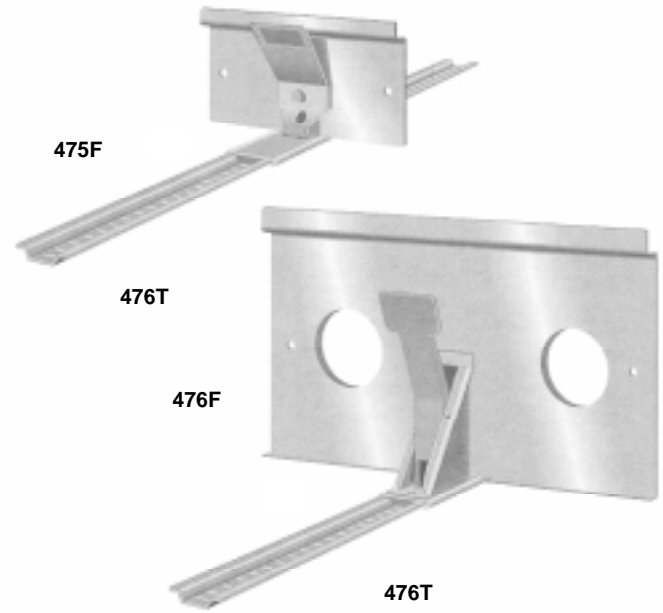


**Top Fastener**

500 in a box.  
**1548**  
 18 gauge  
 Wrought steel - Cut full size.



**Drawer Accessories**



**475F ZC Index Follower**

Card-size index follower.  
 When mounted plate is 2-11/16" from track surface x 4-3/4" wide.  
 Zinc finish. For recess mounting groove is 1-3/4" wide x 1/4" deep.  
 Use with 476T Track.

**476F ZC Index Follower**

Letter-size file follower. When mounted plate is 7-5/8" from track surface x 10-3/4" wide. Use with 476T Track.

**476T ZC Index Follower Track**

With screws Track is 26" long. For recess mounting: groove is 2-1/4" wide x 1/4" deep. Anochrome finish. Other track sizes upon request.

**420 STL Drawer Roller**

Nylon roller, 9/16" diameter, 5/16" wide.  
 7/16" x 1-7/8" steel frame. Rollers are turned to insure absolute accuracy and a smooth bearing surface. Cases are countersunk for flathead screws.

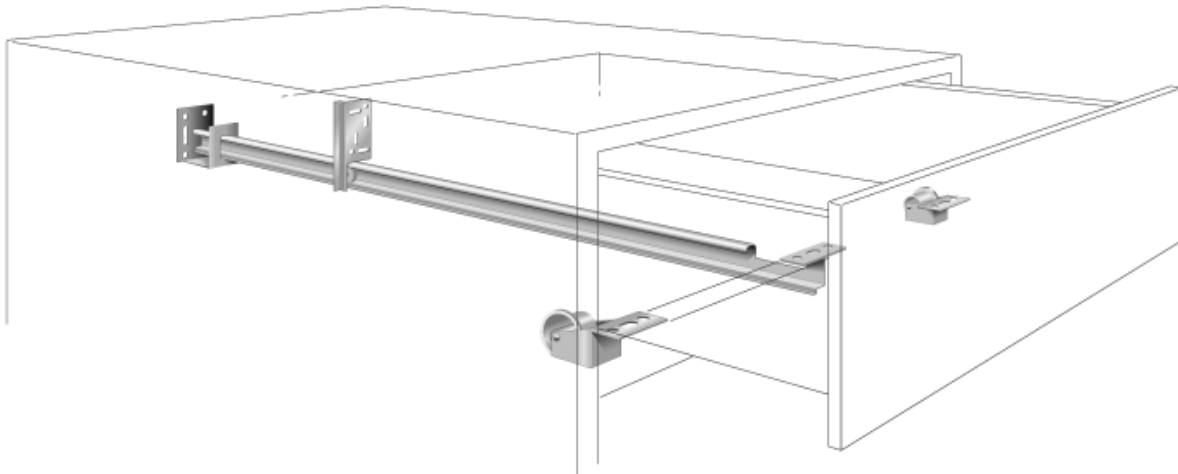


**423STL Drawer Roller**

423STL Steel roller, 5/8" diameter, 1/2" wide.  
 Frame size: 5/8" x 1-13/16".  
 Rollers are turned to insure absolute accuracy and a smooth bearing surface. Cases are countersunk for flathead screws.



## 1175 Drawer Slide



4

**1175P** - Packaged

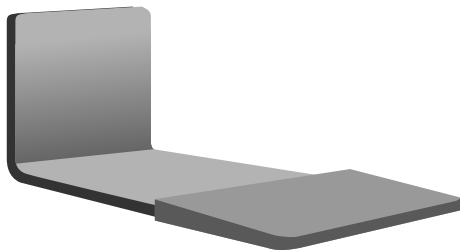
Standard Pack: 1 Set per polybag with display header and instructions, 10 per carton.

Stock Sizes: 22-5/8" and 24"

**1175BV ZC 22-5/8"**  
**1175BV ZC 24"**

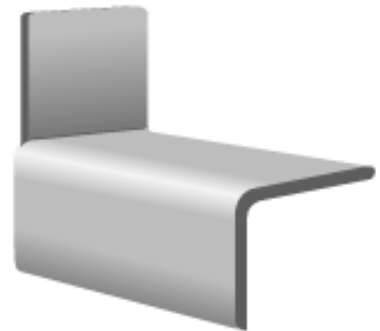
Single Track Under Drawer Mounted Slide  
Standard Pack: 50 Sets per carton  
Economical slide. Flange rollers prevents side binding. Rated at 50 pound load capacity with 20" size. Main features: minimum side clearance height of 1". Mounts with staples or screws. Assembly includes 1175-44 track, 1175-82 rear roller, 1175-84/85 right and left hand front roller and screws. Zinc plated. Note: 1175PV and 1175BV includes 1123 plastic rear mounting bracket in place of steel.

**22 PLAS Glide**  
**Drawer Glides**

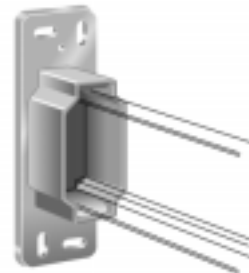


**20PLAS Left (Shown)**  
**21PLAS Right**

Standard Pack:  
100 per box  
Plastic glides replace 1175  
84 and 1175-85 rollers use  
with 1175 drawer slide.  
Mount to rear of front  
cabinet rail with staples.



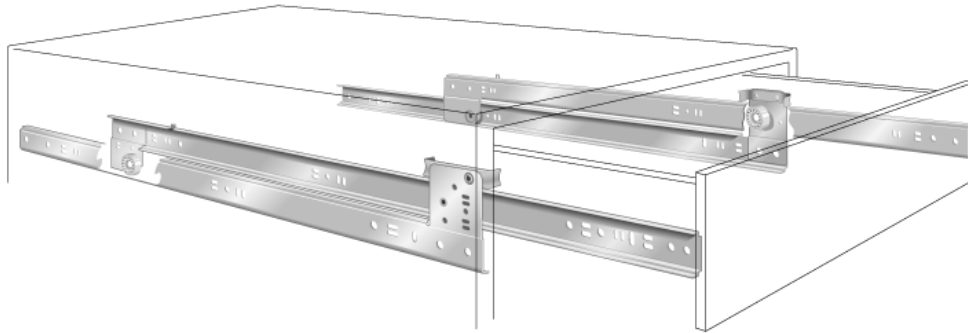
**1123 PLAS**



Plastic rear mounting bracket. Mount horizontally or vertically with screws or staples.

**1260 Drawer Slide**

Rated for 60 pound load with 20" (50.8 cm) in normal usage



**Mounting style:** Slide  
**Height:** 3-1/8" (7.94 cm)  
**Clearance required:** 1/2", plus 1/32" minus 0 each side.  
**Material and finish:** Rust-resistant precoated cold rolled steel  
**Action:** Ball bearing rollers.  
**Features:** Positive stop. Depress top lever for drawer removal. "Stay-" design. Dust shielded bearings.

Mounts with pan head screws.

**Recommended for:** Kitchen cabinets, desks, bathroom, vanities, architectural woodwork, store fixtures, and related units.

**For correct slide size:** Measure from back of drawer front to rear of drawer.

**Stock sizes:** 12" (30.5 cm), 14" (35.6 cm), 16" (40.6 cm), 18" (45.7 cm), 20" (50.8), 22" (55.9), 24" (61 cm)

**Standard package:** 1260P - One set per poly bag with screws and instructions. 10 per carton.

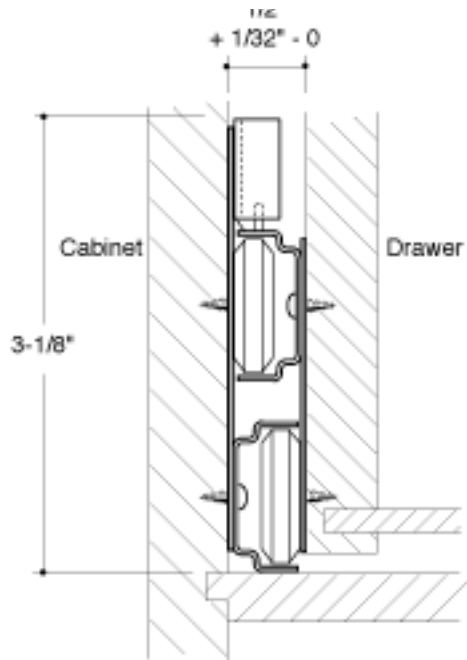
**Bulk packing:** 1260B - 10 sets per carton with screws and instructions.

**Shipping weight per standard carton:** 20" (50.8 CM) - 16.2 LBS.

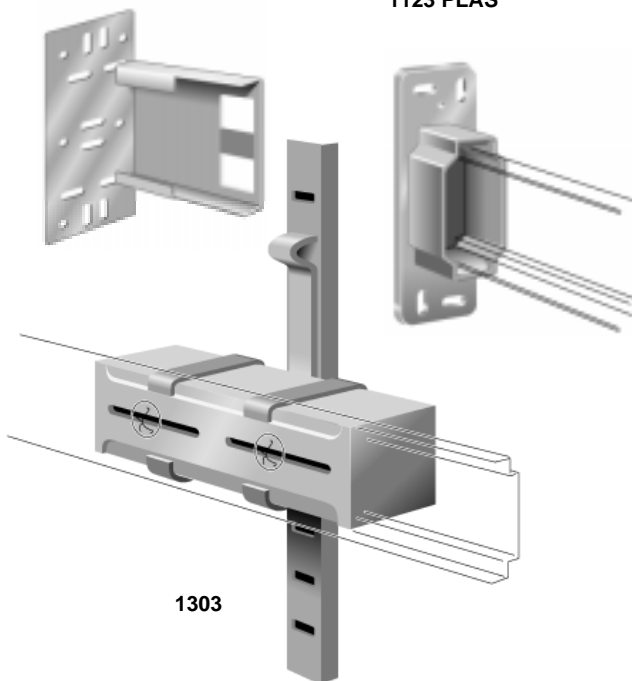
**Note:** 1260 also available in lift out, wrap around and self closing variations.

**Optional Rear Mounting Brackets:** Note - not applicable to stock length sizes.

**1303** - Optional bracket used with pilaster strips mounted within the cabinet. Allows slide to be adjusted vertically when changes in drawer height are necessary. Clearance required: 1- 5/8" per side. 4 brackets per drawer slide set. Load capacity 35 pounds per drawer/tray.



**1123 PLAS**



**1303**

**SCREWS** 1300-83 6 x 13/36" Phillips Panhead.

**1260P** - Poly Bag

Stock Sizes: 12", 14", 16", 18", 20", 22", 24"

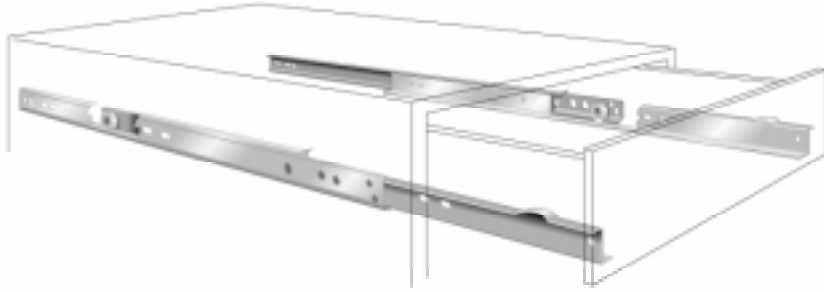
**1260B** - Bulk Pack

Stock Lengths: 14", 16", 18", 20", 22", 24"

**1260BSW** - Bulk Pack

Stock Lengths: 18" x 20", 20" x 22", 20" x 22-3/4"

**1284 Epoxy-Coated Drawer Slide**



Rated for 75-pound with 20" in normal usage.

**Mounting Style:** Bottom or sided

**Height:** 1-9/32"

**Clearance Required:** 1/2" plus 1/32" minus 0 each side

**Material and Finish:** Almond or White color epoxy-coated cold rolled steel.

**Action:** Solid stud acetal roller, captive in one channel member.

**Features:** Smooth and quiet-running epoxy-coated slide. Adaptable to frame mounting. Captive roller reduces side play. Positive stop, lift-out disconnect, "stay closed design." Adjustment slots on both the drawer member and the cabinet member ease installation. Positive lock-out feature is ideal for pullout work surfaces. 75 lb. load rating makes this slide suitable for many different applications.

**Recommended For:** Kitchen cabinets, bathroom vanities, desks, architectural woodwork, institutional and residential furniture.

**Standard Packaging:**

**1284P** - one set per polybag with screws and instructions. 10 per carton.

**1284B** - 20 sets per carton with instructions, no screws.

**\*1284Q** - 50 individual members per carton with instructions, no screws

**Shipping Weight per Standard Carton:** 1284B 500 mm (20") - 33.95 lbs.

**Optional Rear Mounting Brackets:** 1284-3 - Drawer member and cabinet member lengths may be the same.

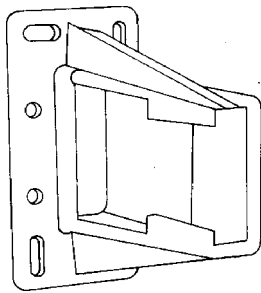
**Optional Variations\*:** #1286 self-close models, #1287 self-close V-notch wraparound models.

**No. 1284-3 Plastic Rear Socket**

For use with No. 1284 drawer slide. Socket is non handed, 2-5/8" in length. Packaged 200 pieces per carton.

**Screws 1284-80 6 x 7/16" Phillips Flat Head.**

**1284-3 Rear Socket**



**No. 1284P ALM or No. 1284P WH      1284Q ALM or 1284Q WH**

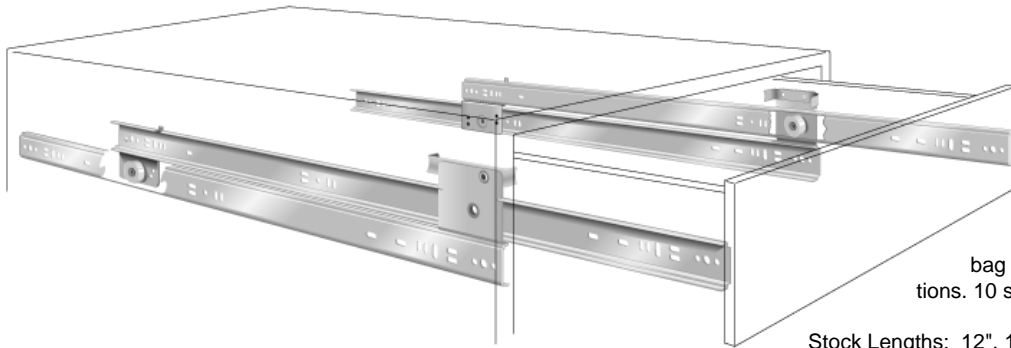
Length (mm)	Length inches	Length (mm)	Length inches
<b>300</b>	(Approx. 12")	<b>450</b>	(Approx. 18")
<b>350</b>	(Approx. 14")	<b>500</b>	(Approx. 20")
<b>400</b>	(Approx. 16")	<b>550</b>	(Approx. 22")
<b>450</b>	(Approx. 18")		
<b>500</b>	(Approx. 20")		
<b>550</b>	(Approx. 22")		
<b>600</b>	(Approx. 24")		
<b>650</b>	(Approx. 26")		

**No. 1284B ALM or No. 1284B WH**

Length (mm)	Length inches
<b>400</b>	(Approx. 16")
<b>450</b>	(Approx. 18")
<b>500</b>	(Approx. 20")
<b>550</b>	(Approx. 22")

**Finish:** ALM - Almond      WH - White

**1300 Drawer Slide**



**1300 Mounts with Pan-Head Screws.** A quality slide for quality cabinets. Medium-duty, versatile. Rated at 75 pound load capacity in 20" size. Smooth, quiet, easy operation using ball bearing nylon rollers, has positive stop action, stay-closed indents with screws and staple holes.

**1300PZC - Packaged Standard Pack:** 1 set per poly bag With display header and instructions. 10 sets per carton

Stock Lengths: 12", 14", 16", 18", 20", 22", 24", 26", 28"

Rated for 75 pound load with 20" in normal usages

**Mounting style:** side

**Height:** 3"

**Clearance required:** 1/2", plus 1/32" minus 0 each side.

**Material and finish:** Zinc plated cold rolled steel.

**Action:** Ball bearing nylon rollers.

**Features:** Mounts with pan head screws.

**Optional self-closing scale** included. Positive stop lever prevents accidental drawer removal.

**Recommended Use** Kitchen cabinets, desks, bathroom vanities, architectural woodwork, store fixtures and related units.

**Standard package:** 1300PZC - One set per poly bag with screws and instructions. 10 per carton.

**Bulk packing:** 1300BZC - 10 sets per carton with screws and instructions.

**1300BZC - Bulk Standard Pack:** 10 sets per carton with screws and instructions.

Stock Lengths: 14", 16", 18", 20", 22", 24", 26"

**1300BSW - Combination Drawer Slides Standard Pack:** 10 sets per carton with screws and 1306 plastic rear mounting brackets

Stock Lengths: 18" x 20", 20" x 22", 20" x 22-3/4"

**1303 Vertically Adjustable Side Mounting Bracket**

Standard Pack: 100 per box

Optional bracket used with pilaster stri

Allows slide to be adjusted vertically when changes in height of drawer are necessary. Clearance required:

1-5/8" per side. 4 Brackets per drawer slide set.



**Rear Mounting Brackets 1123**

**PLAS**

Standard Pack: 100 per box

Optional bracket for mounting rear cabinet member. May be nailed, screwed or stapled. Clearance req Cabinet member must be 1/8" shorter than cabinet depth; dra member must be at least 3/4" short than cabinet member length.



Screws 1300-83 6 x 13/32" Phillips Pan Head

